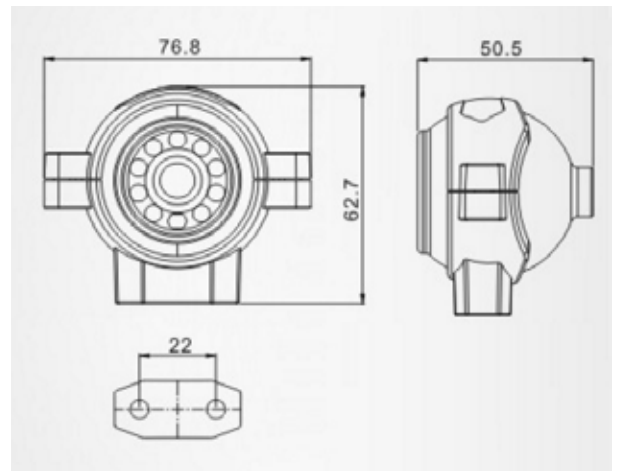


**100**  
*Series*

## SVS100WC1 Universal Wing Camera (Small Base)



### Product Information

The SVS100WC1 universal wing camera is functional and diverse allowing it to fit into most applications. Small and durable this camera has a small 35 x 15mm mounting base and is IP68 meaning the camera will handle the harshest nviroments without issue. The housing is made from durable aluminium ensuring duarability in line with SVS quality. The camera is adjustable inside the hosuing so you can aim it where you need with the camera able to rotate 360degrees meaning you have versatilty to match. With teh solid construction an small base this is ideal for fitment on curved surfaces where space is limited.



### Features

- **IP69k**
- **CCD Sharp image sensor**
- **180mA Max Draw**
- **IR LED**
- **Solid Nylon & Aluminium**
- **210g**

### Specifications

|                     |  |
|---------------------|--|
| Ingress Rating      | IP68                                     |
| Image               | 420TVL                                   |
| TV System           | PAL                                      |
| Voltage             | 12VDC                                    |
| Interface           | Analogue                                 |
| Working Temperature | -20°C ~ +70°C                            |
| Camera Image        | 1/4 Sharp CCD TVL - 120deg Viewing Angle |
| IR LED              | 9 piece 10m                              |